

# Product Catalogue

## Shackles

## Rigging

## Commercial Chain

<b>Contents</b>	<b>Page</b>
<b>Grade "S" Shackles Bow Type</b>	<b>1</b>
<b>Grade "S" Shackles Safety Bow Type</b>	<b>1</b>
<b>Grade "S" Shackles D Type</b>	<b>2</b>
<b>Commercial D Shackles</b>	<b>2</b>
<b>Eye Bolt Long Shank</b>	<b>3</b>
<b>Eye Bolt (DIN580)</b>	<b>3</b>
<b>Eye Nut (DIN582)</b>	<b>4</b>
<b>Chain Galvanised</b>	<b>5</b>
<b>Wire Rope Galvanised Fibre Core</b>	<b>5</b>
<b>Wire Rope Galvanised Steel Core</b>	<b>6</b>
<b>Thimbles AS Standard</b>	<b>6</b>
<b>Commercial Wire Rope Grips</b>	<b>7</b>
<b>Commercial Snap Hooks</b>	<b>7</b>
<b>Commercial Turnbuckle Eye to Eye</b>	<b>8</b>
<b>Commercial Turnbuckle Hook to Eye</b>	<b>8</b>

## Grade "S" Shackle Screw Pin Bows



### Max-S Grade "S" Screw Pin Bow Shackles

- Hot Dip Galvanised Blue Pin
- Proof Tested 2 times WLL
- Safety Factor 6:1
- Manufactured in accordance with AS2741

CODE	WLL TONNE	TYPE	WEIGHT KG	Dia. (Bow) (d) mm	Dia Pin (D) mm	Inside Width (W) mm	Inside Length (L) mm	Width of Bow (B) mm
SKLSCR0003	0.33	Screw Pin	0.02	5	6	10	22	15
SKLSCR0005	0.5	Screw Pin	0.06	6	8	12	29	20
SKLSCR0007	0.75	Screw Pin	0.11	8	10	13	31	21
SKLSCR0010	1	Screw Pin	0.15	10	11	17	37	26
SKLSAF0010	1	<b>Safety pin</b>	0.17	10	11	17	37	26
SKLSCR0015	1.5	Screw Pin	0.21	11	13	18	43	29
SKLSAF0015	1.5	<b>Safety pin</b>	0.25	11	13	18	43	29
SKLSCR0020	2	Screw Pin	0.37	13	16	21	48	33
SKLSAF0020	2	<b>Safety pin</b>	0.44	13	16	21	48	33
SKLSCR0032	3.25	Screw Pin	0.65	16	19	27	61	43
SKLSAF0032	3.25	<b>Safety pin</b>	0.79	16	19	27	61	43
SKLSCR0047	4.75	Screw Pin	1.06	19	22	32	72	51
SKLSAF0047	4.75	<b>Safety pin</b>	1.26	19	22	32	72	51
SKLSCR0065	6.5	Screw Pin	1.56	22	25	37	84	58
SKLSAF0065	6.5	<b>Safety pin</b>	1.88	22	25	37	84	58
SKLSCR0085	8.5	Screw Pin	2.32	25	29	43	95	68
SKLSAF0085	8.5	<b>Safety pin</b>	2.78	25	29	43	95	68
SKLSCR0095	9.5	Screw Pin	3.3	29	32	46	108	74
SKLSAF0095	9.5	<b>Safety pin</b>	3.87	29	32	46	108	74
SKLSCR0120	12	Screw Pin	4.51	32	35	52	119	83
SKLSAF0120	12	<b>Safety pin</b>	5.26	32	35	52	119	83
SKLSCR0135	13.5	Screw Pin	5.93	35	38	57	133	92
SKLSAF0135	13.5	<b>Safety pin</b>	6.94	35	38	57	133	92
SKLSCR0170	17	Screw Pin	7.89	38	41	60	146	98
SKLSAF0170	17	<b>Safety pin</b>	8.79	38	41	60	146	98
SKLSCR0250	25	Screw Pin	13.4	44	51	73	178	127
SKLSAF0250	25	<b>Safety pin</b>	14.99	44	51	73	178	127
SKLSCR0350	35	Screw Pin	18.85	51	57	83	197	146
SKLSAF0350	35	<b>Safety pin</b>	20.65	51	57	83	197	146
SKLSAF0425	42.5	<b>Safety pin</b>	29.1	57	63	95	222	160
SKLSCR0550	55	Screw Pin	38.5	63	70	105	267	184
SKLSAF0550	55	<b>Safety pin</b>	41.05	63	70	105	267	184
SKLSAF0850	85	<b>Safety pin</b>	62.3	76	83	127	330	200
SKLSAF1200	120	<b>Safety pin</b>	110	89	95	146	381	241
SKLSAF1500	150	<b>Safety pin</b>	160	102	108	165	432	279
SKLSAF2000	200	<b>Safety pin</b>	/	/	/	/	/	/

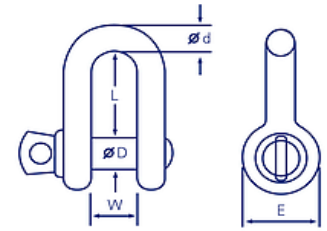




## Grade "S" Shackle Screw Pin D

Max-S Grade "S" Screw Pin D Shackles

- Hot Dip Galvanised Blue Pin
- Proof Tested 2 times WLL
- Safety Factor 6:1
- Manufactured in accordance with AS2741



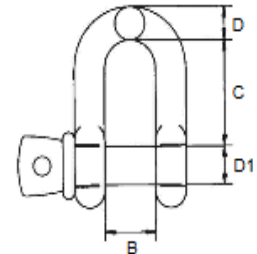
CODE	WLL TONNE	TYPE	WEIGHT KG	Dia. (Bow) (d) mm	Dia Pin (D) mm	Inside Width (W) mm	Inside Length (L) mm
SKLSCRD0005	0.5	Screw Pin	0.05	6	8	12	22
SKLSCRD0007	0.75	Screw Pin	0.09	8	10	13	26
SKLSCRD0010	1	Screw Pin	0.14	10	11	17	32
SKLSCRD0015	1.5	Screw Pin	0.17	11	13	18	37
SKLSCRD0020	2	Screw Pin	0.29	13	16	21	41
SKLSCRD0032	3.25	Screw Pin	0.63	16	19	27	51
SKLSCRD0047	4.75	Screw Pin	1.02	19	22	32	60
SKLSCRD0065	6.5	Screw Pin	1.53	22	25	37	71
SKLSCRD0085	8.5	Screw Pin	2.4	25	29	43	81
SKLSCRD0095	9.5	Screw Pin	3.1	29	32	46	90
SKLSCRD0120	12	Screw Pin	4.35	32	35	52	100



## Commercial Galvanised D Shackle

Commercial Grade D Shackles

- NOT SUITABLE FOR LIFTING APPLICATIONS
- Hot Dip Galvanised



CODE	WEIGHT KG	B	D	D1	C
CSKL05D	0.015	10	5	5	19
CSKL06D	0.025	12	6	6	24
CSKL08D	0.054	16	8	8	32
CSKL10D	0.109	20	10	10	40
CSKL13D	0.205	25	12	12	48
CSKL16D	0.480	32	16	16	64
CSKL20D	0.815	38	20	20	76
CSKL22D	1.285	44	22	22	85
CSKL25D	1.866	53	25	25	95



## Eye Bolts Long Shank

Eye Bolts Long Shank, collar to be seated against threaded surface.

- Full Thread long shank design
- Metric Thread range M10 to M30
- Manufactured in accordance with AS2317

CODE	A SIZE MM	LENGTH MM	WLL TONNE	WEIGHT KG	B mm	D mm	W mm
FEBS10LS	10	178	0.25	0.02	178	15	33
FEBS12LS	12	178	0.40	0.06	178	18	42
FEBS16LS	16	178	0.80	0.11	178	23	52
FEBS20LS	20	178	1.6	0.15	178	25	62
FEBS24LS	24	178	2.5	0.17	178	35	82
FEBS30LS	30	178	4.0	0.21	180	48	105

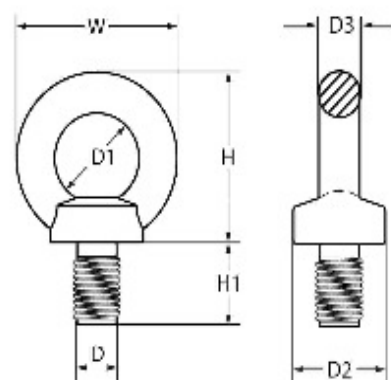
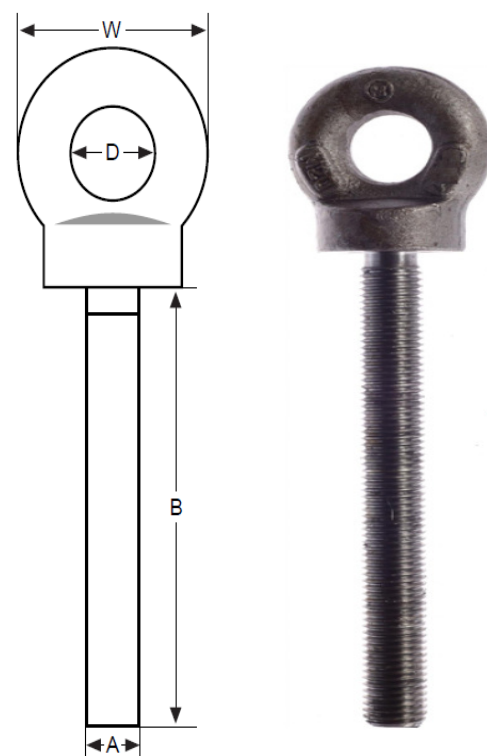
75% Reduction for any non vertical application


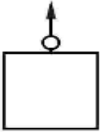

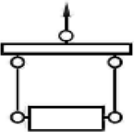
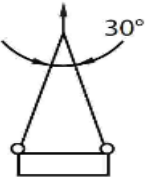
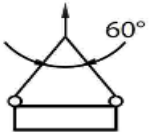
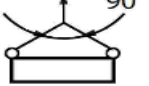
## Eye Bolts DIN580

Eye Bolts DIN580, collared to be seated against threaded surface.

- Zinc Passivated finish
- Metric Thread range M8 to M72
- Proof tested 2 x WLL
- Minimum break force 6 x WLL
- Manufactured in accordance with AS2317

CODE	D SIZE MM	WLL TONNE	THREAD PITCH MM	WEIGHT KG	D1 mm	D2 mm	D3 mm	H	H1	W
FEBD08	8	0.14	1.25	0.06	20	20	8	36	13	36
FEBD10	10	0.23	1.5	0.11	25	25	10	45	17	45
FEBD12	12	0.34	1.75	0.18	30	30	12	53	20	54
FEBD16	16	0.70	2	0.28	35	35	14	62	27	63
FEBD20	20	1.2	2.5	0.45	40	40	16	71	30	72
FEBD22	22	1.5	2.5	0.67	45	45	18	80.5	35	81
FEBD24	24	1.8	3.0	0.87	50	50	20	90	36	90
FEBD27	27	2.5	3.0	0.88	50	50	20	97	36	90
FEBD30	30	3.6	3.5	1.66	65	65	24	109	45	108
FEBD36	36	5.1	4.0	2.65	75	75	28	128	54	126
FEBD42	42	7	4.5	4.03	85	85	32	147	63	144
FEBD48	48	8.6	5.0	6.38	100	100	38	168	68	168
FEBD56	56	11.5	5.5	8.8	100	110	42	187	78	184
FEBD64	64									
FEBD72	72									



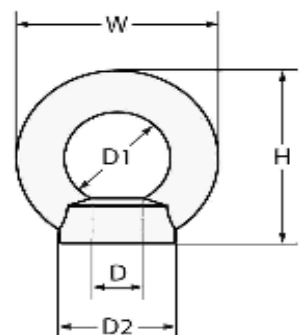
SINGLE EYE BOLT			PAIR OF EYE BOLTS			
						
EYE BOLT SIZE	AXIAL	SIDE 90°	VERTICAL PAIR	30° ANGLE	60° ANGLE	90° ANGLE
M8	0.14	0.035	0.07	0.176	0.112	0.07
M10	0.23	0.058	0.115	0.29	0.184	0.115
M12	0.34	0.085	0.17	0.428	0.272	0.17
M16	0.70	0.175	0.35	0.882	0.56	0.35
M20	1.20	0.3	0.6	1.512	0.96	0.6
M22	1.50	0.375	0.75	1.89	1.2	0.75
M24	1.80	0.45	0.9	2.268	1.44	0.9
M27	2.50	0.625	1.25	3.15	2.0	1.25
M30	3.60	0.9	1.8	4.536	2.88	1.8
M36	5.10	1.275	2.55	6.426	4.08	2.55
M42	7.00	1.75	3.5	8.82	5.6	3.5
M48	8.60	2.15	4.3	10.836	6.88	4.3
M56	11.50	2.875	5.75	14.49	9.2	5.75

## Eye Nuts DIN582

Eye Bolts DIN582, collared to be seated against threaded surface.

- Zinc Passivated finish
- Metric Thread range M8 to M36
- Manufactured in accordance with AS2317

CODE	D SIZE MM	WLL TONNE	THREAD PITCH MM	WEIGHT KG	D1 mm	D2 mm	D	H	W
FEND08	8	0.14	1.25	0.05	20	20	8	36	36
FEND10	10	0.23	1.5	0.09	25	25	10	45	45
FEND12	12	0.34	1.75	0.16	30	30	12	53	54
FEND16	16	0.70	2	0.24	35	35	16	62	63
FEND20	20	1.2	2.5	0.36	40	40	20	71	72
FEND24	24	1.8	3.0	0.72	50	50	24	90	90
FEND30	30	3.6	3.5	1.32	65	65	30	109	108
FEND36	36	5.10	4.0	2.08	75	75	36	128	126



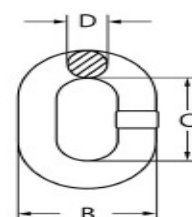
## Chain Galvanised Regular Link Proof Coil



Proof Coil Chain is manufactured from low carbon steel and is commonly used for agricultural, industrial, manufacturing, marine and general engineering applications. NOT FOR LIFTING APPLICATIONS



CODE	CHAIN SIZE MM	LENGTH PER DRUM METRE	MWL TONNE	DIMENSIONS mm		
				B	C	D
CNM03GR50KG	3	249	0.06	13.1	15.7	3
CNM04GR50KG	4	153	0.11	16	18.6	3.8
CNM05GR50KG	5	96.5	0.19	19.4	22	4.75
CNM06GR50KG	6	60	0.32	23.5	26	6
CNM08GR50KG	8	37	0.53	29.5	32	7.6
CNM10GR50KG	10	23.5	0.83	36	39	9.5
CNM13GR50KG	13	13.8	1.5	46	49	12
CNM16GR50KG	16	9	2.31	56	60	16
CNM20GR50KG	20	6	3.67	71	73.3	20
CNM24GR50KG	24	4	5.34	84.8	87	24



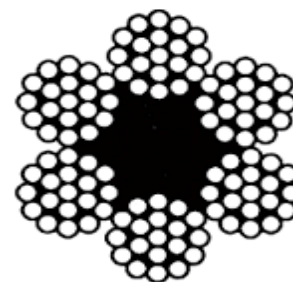
Cut Lengths available upon request

## Wire Rope 6 x 19 Fibre Core G1570

6x19 Fibre Core Galvanized Wire Ropes have a flexible characteristic and are suitable for a variety of applications such as engineering, winches, pulling, marine, slings and general purpose use

Sizes available from 3.0mm to 10mm with standard grade of G1570.

- Supplied reel lengths available vary from Cut Length, 100 Metre and 1,000 metres.
- Conforms to AS3569, Test Certificate available with each reel batch.



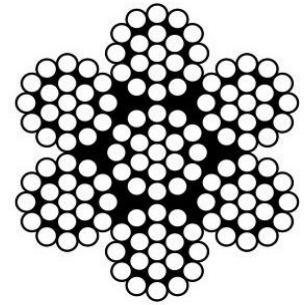
CODE	DIAMETER MM	MINIMUM BREAK STRENGTH G1570 KN	REEL LENGTH
70312	3	4.3	1000
70312-100	3	4.3	100
70412	4	7.7	1000
70412-100	4	7.7	100
70512	5	12	1000
70512-100	5	12	100
70612	6	17.6	1000
70612-100	6	17.6	100
70812	8	30.8	1000
71012	10	42.8	1000

Cut lengths and other sizes and types are available upon request

## Wire Rope 7 x 19 Steel Core G2070

7x19 Steel Core galvanised Wire Ropes have a flexible characteristic and suitable for, winch cable, running rigging, control cable, guying or general purpose uses wherever flexible rope is required for the application.

- Sizes available from 4.0mm to 8mm with standard grade of G2070.
- Supplied reel lengths available vary from Cut Length, 100 Metre and 1,000 metres.
- Conforms to AS3569, Test Certificate available with each reel batch.



CODE	DIAMETER MM	MINIMUM BREAK STRENGTH G2070 KN	REEL LENGTH
70411	4	11.2	1000
70511	5	17.4	1000
70611	6	25.4	1000
70811	8	43.9	1000

Cut lengths and other sizes and types are available upon request

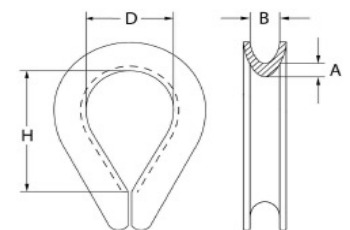
## Thimbles Australian Standard

### AS Thimbles

- Australian Standard Thimbles are recommended for heavy Lifting applications
- Conforms to AS1138 with painted tip for identification
- Made from heat treated high tensile steel
- Sizes available are from 6mm to 52mm.
- Hot dipped galvanised finish.
- FOR LIFTING PURPOSES.



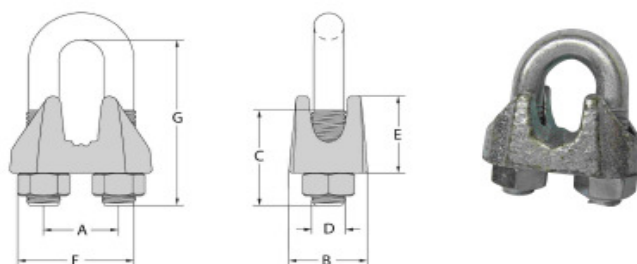
CODE	SIZE MM	WEIGHT KG	DIMENSIONS mm			
			A	B	D	H
THI06AS	6	0.04	4	7	25	16
THI08AS	8	0.052	5	7.9	33	22
THI10AS	10	0.08	5	10.3	38	25
THI11AS	11	0.09	6	12.7	41	29
THI12AS	12	0.13	6	14.3	44	32
THI14AS	14	0.15	7	15	46	38
THI16AS	16	0.26	8	15.9	59	41
THI18AS	18	0.35	8	18	65	46
THI19AS	19	0.4	9	20.6	73	51
THI20AS	20	0.5	10	21.6	75	52
THI22AS	22	0.62	10	22.2	83	57
THI24AS	24	0.9	11	25.4	92	64
THI26AS	26	1	11	27	111	72
THI28AS	28	1.1	12	28.6	111	76
THI32AS	32	1.3	14	33.4	133	95
THI36AS	36	2.2	16	38	152	105
THI40AS	40	3.2	18	43	165	114
THI44AS	44	5.6	20	47	178	127
THI48AS	48	8.2	22	51	190	134
THI52AS	52	11	22	55	203	140



## Commercial Wire Rope Grips Heavy Duty

### Commercial Wire Rope Grips

- Sizes available are from 3mm to 25mm.
- Zinc plated finish on both U-bolt and saddle.
- Tolerances may vary for commercial products
- NOT FOR LIFTING PURPOSES.

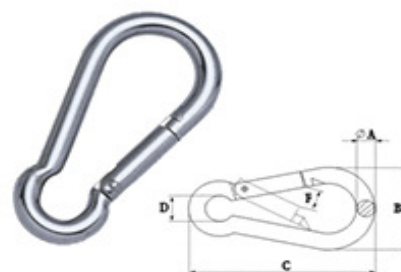


CODE	SIZE		WEIGHT KG	DIMENSIONS MM						
	INCH	MM		A	B	C	D	D (IN)	E	F
CWRG03	1/8	3	0.017	11	14	14	3/16	10.8	22	20
CWRG05	3/16	4-5	0.03	14.5	15	16.5	1/4	13	26	24
CWRG06	1/4	6	0.053	17	18.5	20	5/16	15	32	31.5
CWRG08	5/16	8	0.06	18.3	20	22	5/16	16	35	34
CWRG10	3/8	9-10	0.103	22.5	22	27	3/8	22	40.5	41.8
CWRG13	1/2	12-13	0.21	27	26	33	7/16	23.3	49	51
CWRG16	5/8	16	0.25	32.5	28.5	40	1/2	28	57.4	59
CWRG20	3/4	19-20	0.37	34.5	30	42	9/16	32	59.4	68.5
CWRG25	1	25	0.6	45.5	38	55	5/8	41	75	87.5

## Commercial Snap Hook

### Commercial Snap Hook

- Sizes available are from 4mm to 12mm.
- Zinc plated finish
- Tolerances may vary for commercial products
- NOT FOR LIFTING PURPOSES.



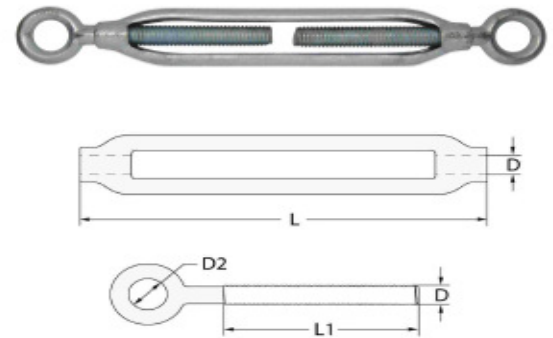
CODE	SIZE MM	WEIGHT KG	DIMENSIONS MM				
			A	B	C	D	F
SNAP04	4X40	0.082	4	20	40	7	7
SNAP05	5X50	0.015	5	25	50	8	7
SNAP06	6X60	0.026	6	30	60	9	8
SNAP08	8X80	0.062	8	40	80	12	9
SNAP10	10X100	0.122	10	50	100	15	11
SNAP12	12X140	0.250	12	67	140	20	19



## Commercial Turnbuckle Eye to Eye (Forged and Cast)

### Commercial Turnbuckle Eye to Eye

- Eye to Eye end fittings for light duty tensioning
- Available in Cast and Forged
- Dimensions may vary
- Sizes available are from 6mm - 25mm
- Zinc plated finish
- NOT FOR LIFTING PURPOSES.



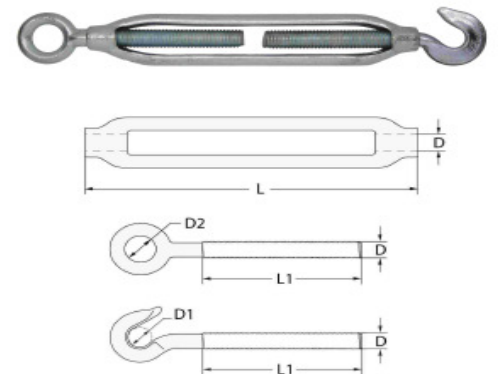
CODE	SIZE MM	WEIGHT KG	L	DIMENSIONS MM		
				L1	D	D2
TBK06EE	6	0.067	80	35	6	9
TBK08EE	8	0.13	105	50	8	11
TBK10EE	10	0.23	130	62	10	16
TBK12EE	12	0.35	140	65	12	18
TBK16EE	16	0.90	178	88	16	24
TKB20EE	20	1.43	215	110	20	28
TKB25EE	25	2.62	255	135	25	36

available in Cast and Forged Type

## Commercial Turnbuckle Hook to Eye (Forged)

### Commercial Turnbuckle Hook to Eye

- Hook to Eye end fittings for light duty tensioning
- Available in Forged
- Dimensions may vary
- Sizes available are from 6mm - 24mm
- Zinc plated finish
- NOT FOR LIFTING PURPOSES.

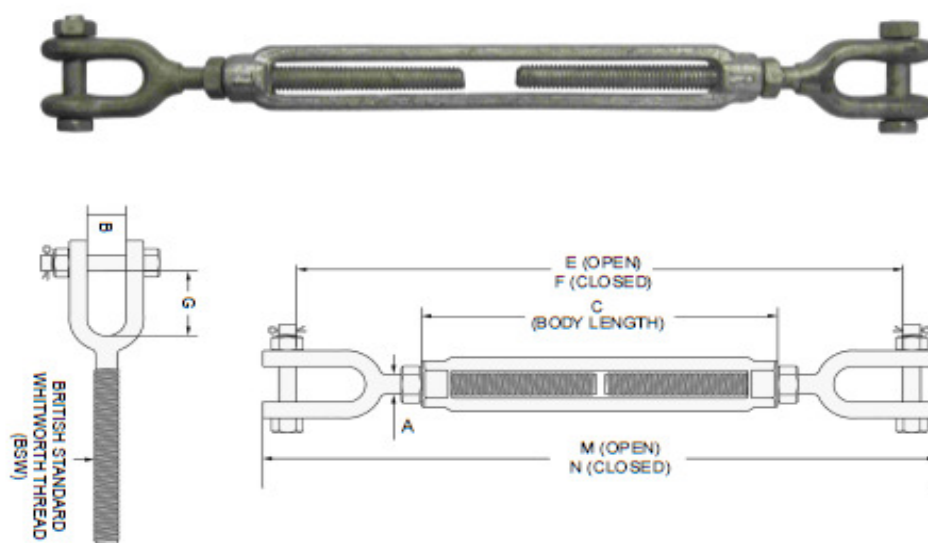


CODE	SIZE MM	WEIGHT KG	D	DIMENSIONS MM			
				D1	D2	L	L1
TBK06HE	6	0.052	6	8	9	80	35
TBK08HE	8	0.098	8	10	11	105	50
TBK10HE	10	0.226	10	16	16	130	62
TBK12HE	12	0.338	12	18	18	140	65
TBK16HE	16	0.898	16	24	24	178	88
TKB20HE	20	1.595	20	28	28	215	110
TBK24HE	24	2.8	25	36	36	255	135

## Rated Turnbuckle

Rated Turnbuckle's are Generally used for straight or in line tensioning in conjunction with wire rope and chain assemblies when heavy duty straining and lifting applications are required

- Manufactured from high tensile material quenched and tempered hot dipped
- Galvanized finish suitable for outdoors.
- Available in imperial sizing and jaw end fittings.
- Meets the design requirements of US Federal Specifications.
- Proof tested to 2 x WLL and Minimum Break Force is 5 x WLL.



CODE	SIZE INCH	WLL TONNE	WEIGHT KG	A	B	C	DIMENSIONS MM		G	M	N
							E	F			
TBS10X6JJ	3/8	0.54	0.37	9.65	12.7	152	410	258	22.1	441	289
TBS12X6JJ	1/2	1	0.71	12.7	16	152	470	292	26.9	508	330
TBS16X12JJ	5/8	1.59	1.56	16	19	229	662	401	33.3	715	454
TBS20X12JJ	3/4	2.36	2.98	19.1	23.4	305	851	508	38.1	917	574
TBS22X12JJ	7/8	3.27	3.71	22.4	28.7	305	892	543	44.5	967	618
TBS25X12JJ	1	4.54	5.53	25.4	30	305	933	577	52.5	1018	662
TBS32X12JJ	1-1/4	6.89	9.36	31.8	44.5	305	1012	644	71.5	1119	750
TBS38X12JJ	1-1/2	9.71	13.9	38.1	52	305	1054	673	71.5	1181	800
TBS44X18JJ	1-3/4	12.7	24.5	44.5	60	457	1356	899	86	1503	1046
TBS52X24JJ	2	16.8	42.8	51	63.5	610	1766	1157	93.5	1949	1339
TBS64X24JJ	2-1/2	27.2	75	63.5	73	610	1854	1244	113	2087	1478

### Disclaimer:

Please check applicable operational manuals

This catalogue has been prepared specifically for customers of the publisher and as a general reference only. The information contained herein is subject to change without notice. This catalogue does not imply that any such parts are available for supply. This publication is protected by copyright and may not be reproduced or copied (using any method of reproduction or copying), sold, transmitted, circulated or otherwise forwarded to third parties, in whole or part, without prior written consent of the author.

All trade marks, registered and product names appearing herein are the property of their respective owners.